

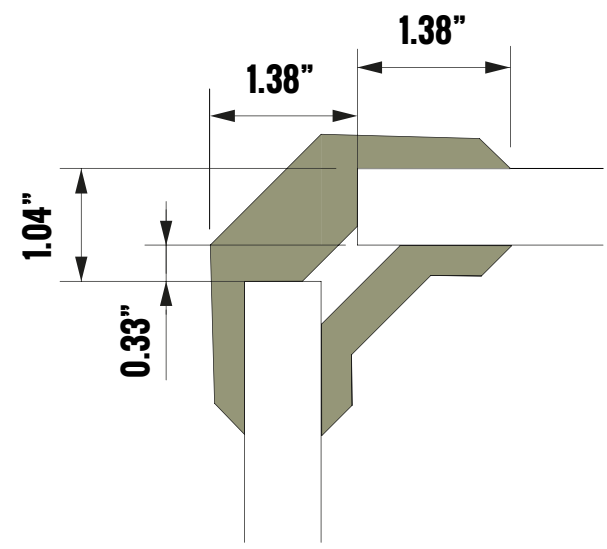
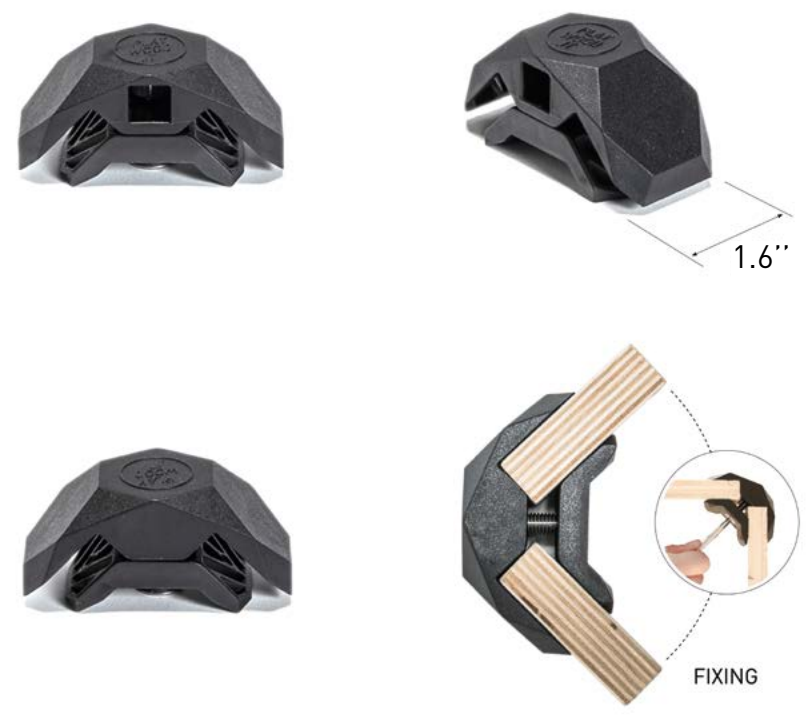


Innovative assembly system simple, fast and creative

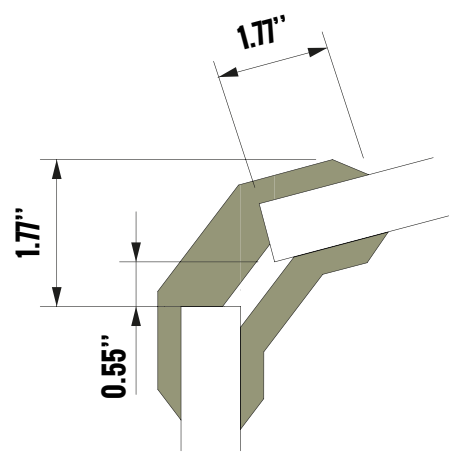
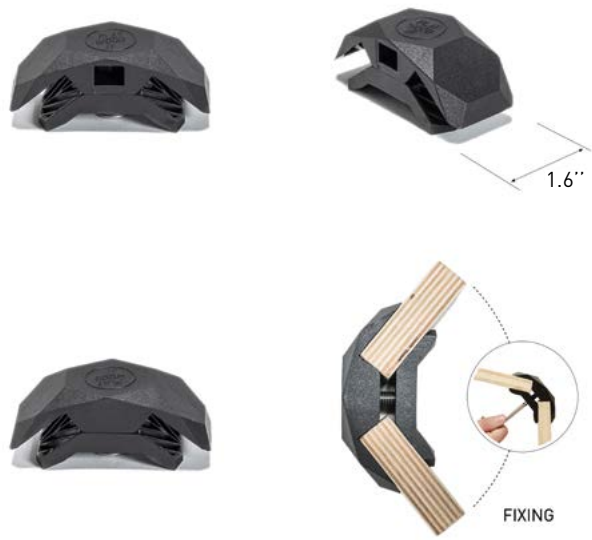
PlayWood technical information
us.playwood.it



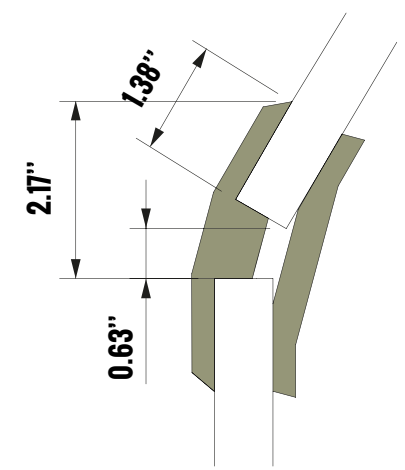
90° CONNECTORS for panels 3/4" thick



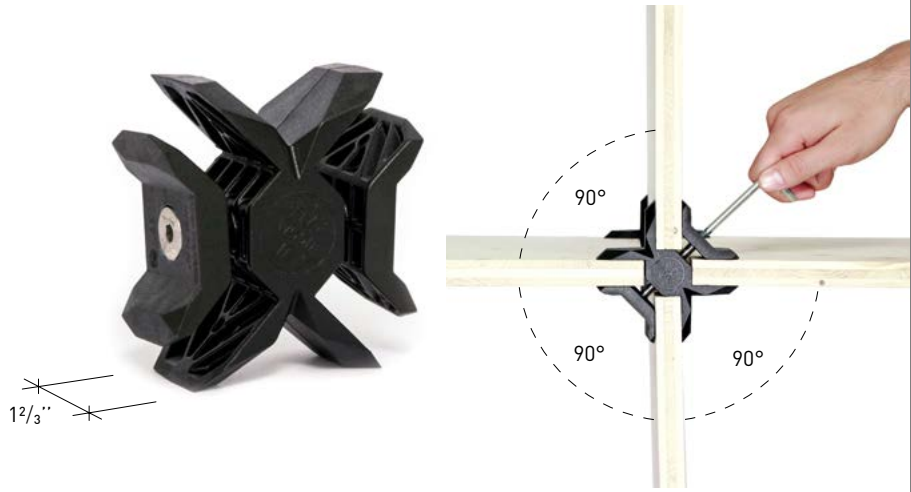
105° CONNECTORS for panels 3/4" thick



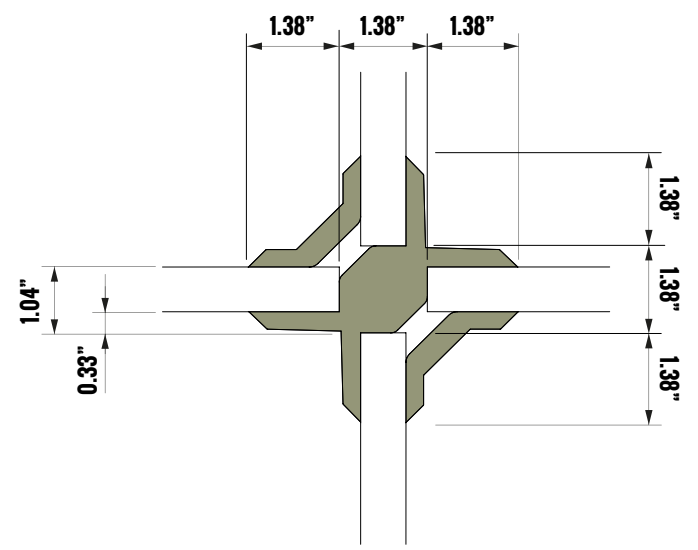
150° CONNECTORS for panels 3/4" thick



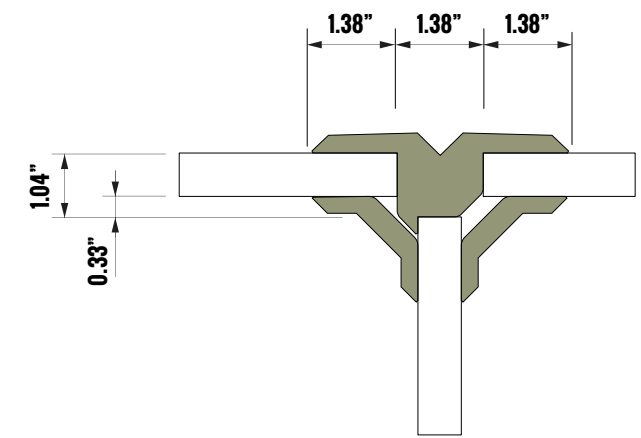
CROSS CONNECTORS for panels 3/4" thick



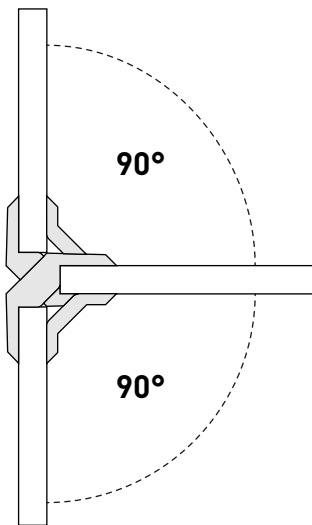
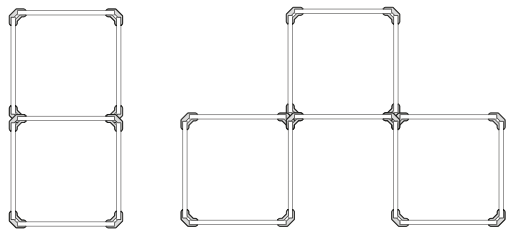
1 2/3"



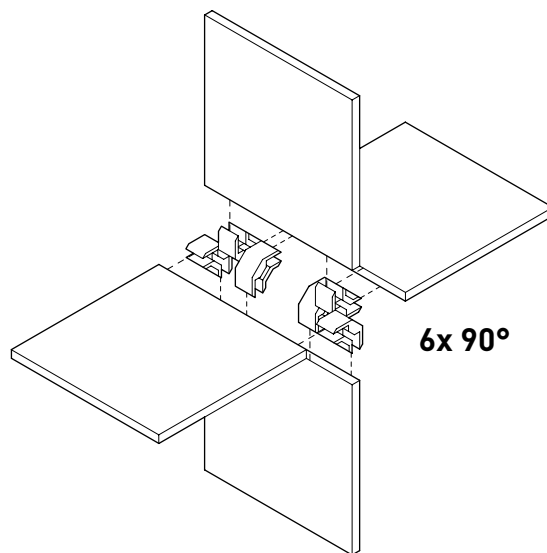
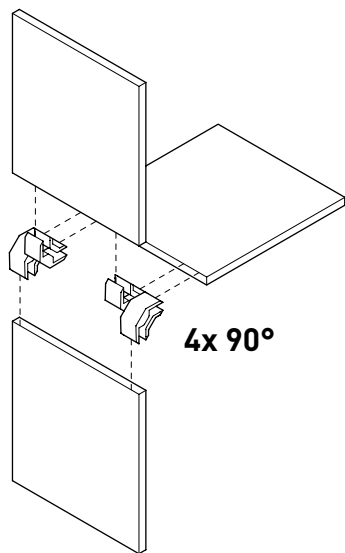
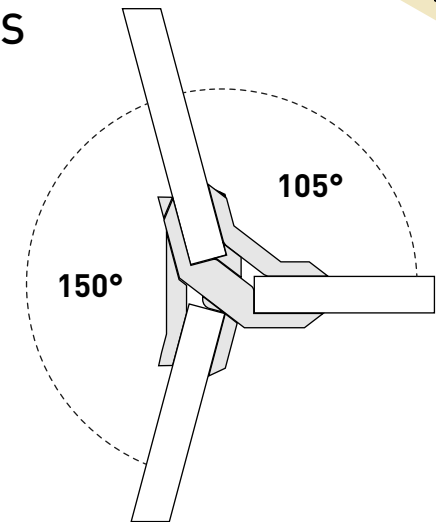
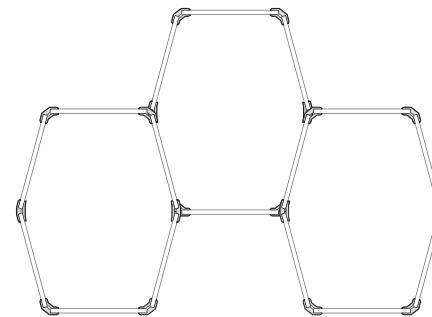
T-SHAPE CONNECTORS for panels 3/4" thick



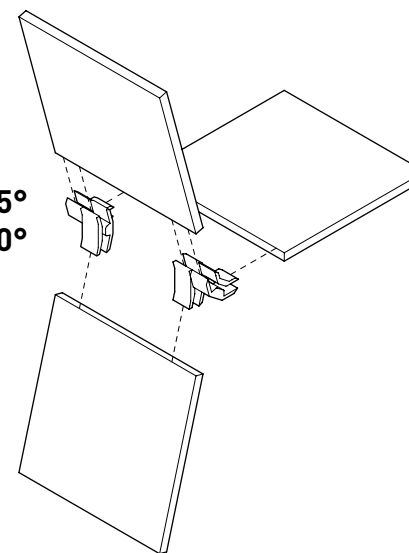
90° CONNECTORS



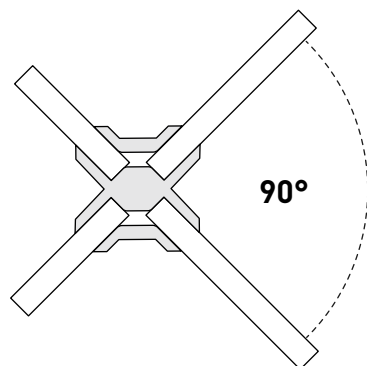
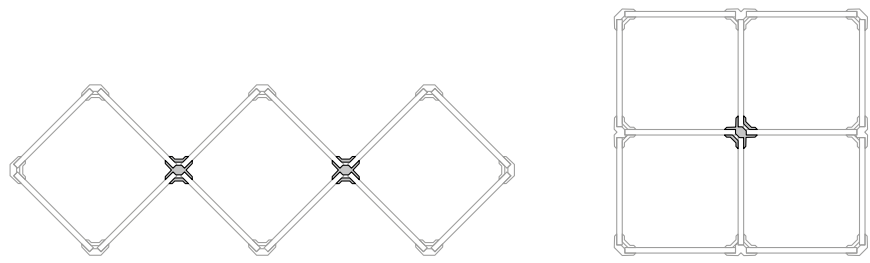
105°/ 150° CONNECTORS



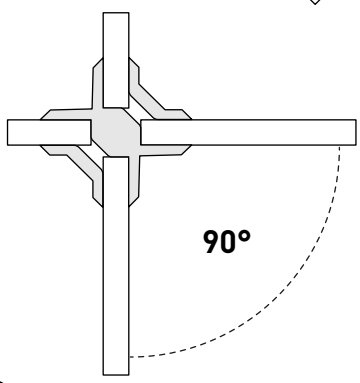
2x 105°
2x 150°



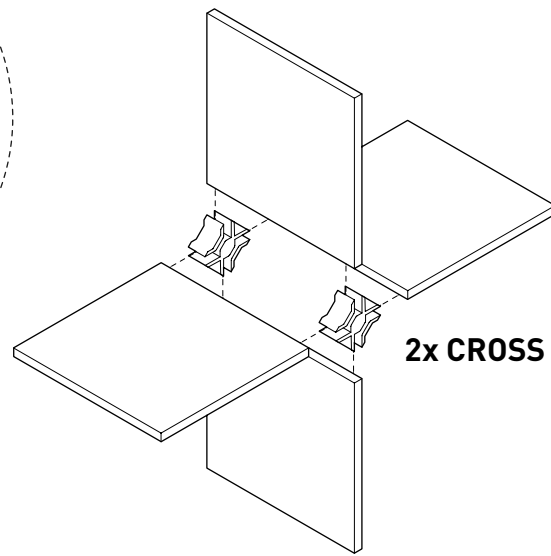
CROSS CONNECTOR



90°

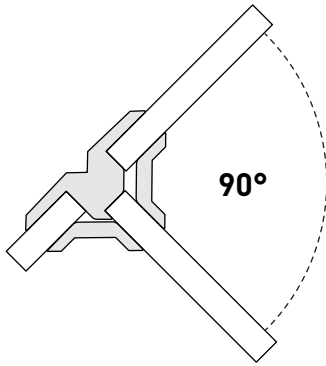
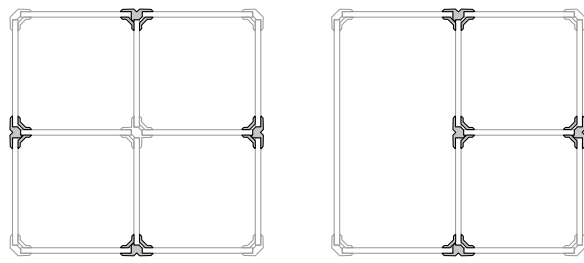


90°

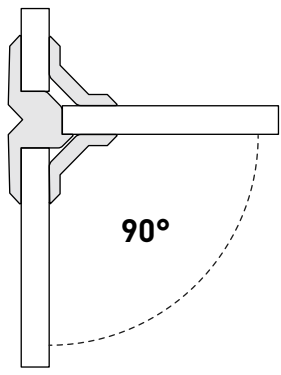


2x CROSS

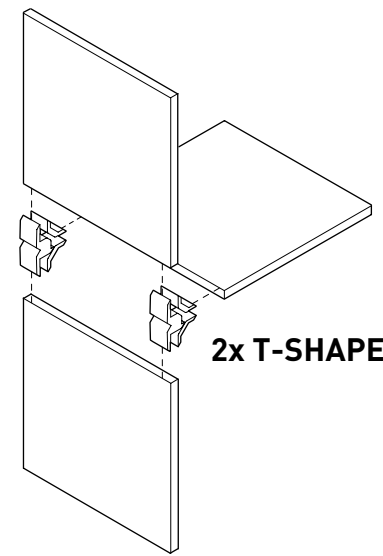
T-SHAPE CONNECTOR



90°



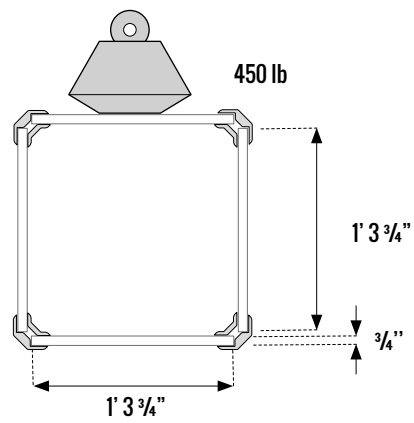
90°



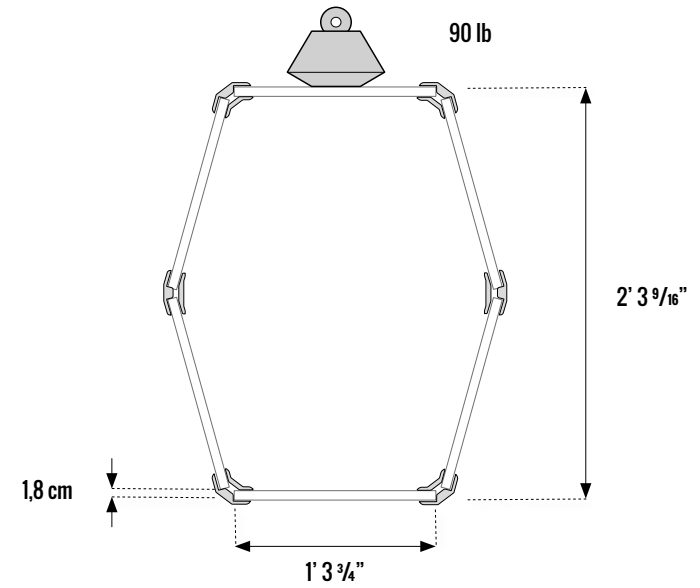
2x T-SHAPE



SQUARE-SHAPED STRUCTURE



HEXAGONAL-SHAPED STRUCTURE





3 LAYERS FIR BLOCK BOARD

Optimal outline, easy to cut.
High resistance to cross traction.
High rigidity.



EASY TO PAINT



EASY TO WORK



ROUGH EDGE



LIGHT WEIGHT



LOADS RESISTANT



OSB 3

Particular appearance consisting of wood chips. Structural panels can be used in damp places. Good resistance to horizontal stresses. High resistance to cross traction. High rigidity.



RECYCLED



WITH PROTECTIVE VARNISH



EASY TO WORK



ROUGH EDGE



LIGHT WEIGHT



HUMIDITY RESISTANT



BILAMINATED WHITE POPLAR

High mechanical resistance.
High rigidity.
Finished aesthetical appearance.
Light & Scratchproof.



COLORED



LOADS RESISTANT



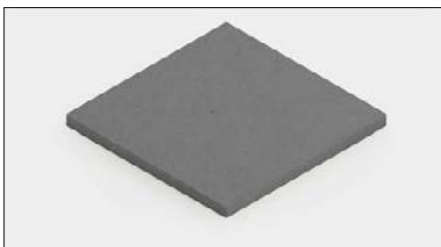
EASY TO CLEAN



EASY TO WORK



HUMIDITY RESISTANT



MDF

Optimal outline, easy to cut.
High resistance.
Uniform fiber structure.
Low degree of swelling.
Great capability of soundproofing.



COLORED



LOADS RESISTANT



EASY TO CLEAN



EASY TO WORK



FINISHED EDGE

